

PARTS MANUAL

Hydra-Cell[®]

INDUSTRIAL PUMPS

IMPORTANT

Record your pump model number and serial number here for easy reference:

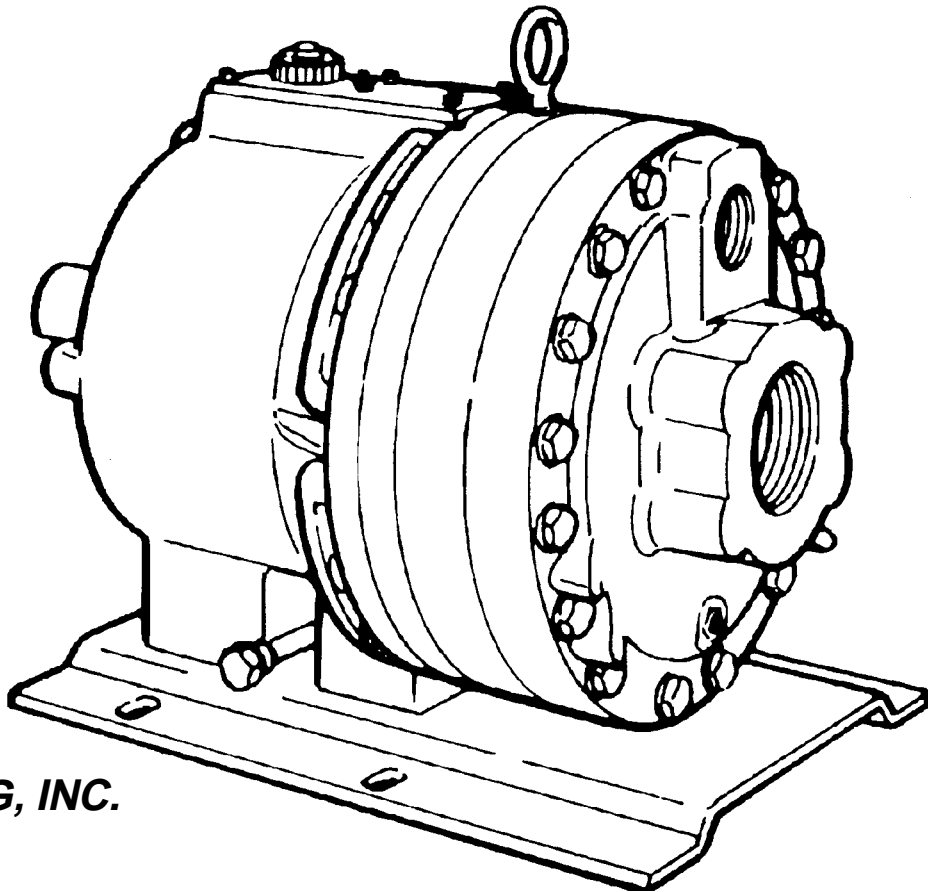
Model No. _____

Serial No. _____

Date of Purchase _____

When ordering parts or making inquiries about this pump, please mention the model and serial numbers.

MODEL: G-35



WANNER ENGINEERING, INC.

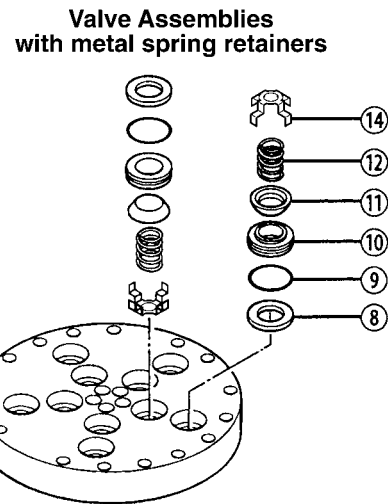
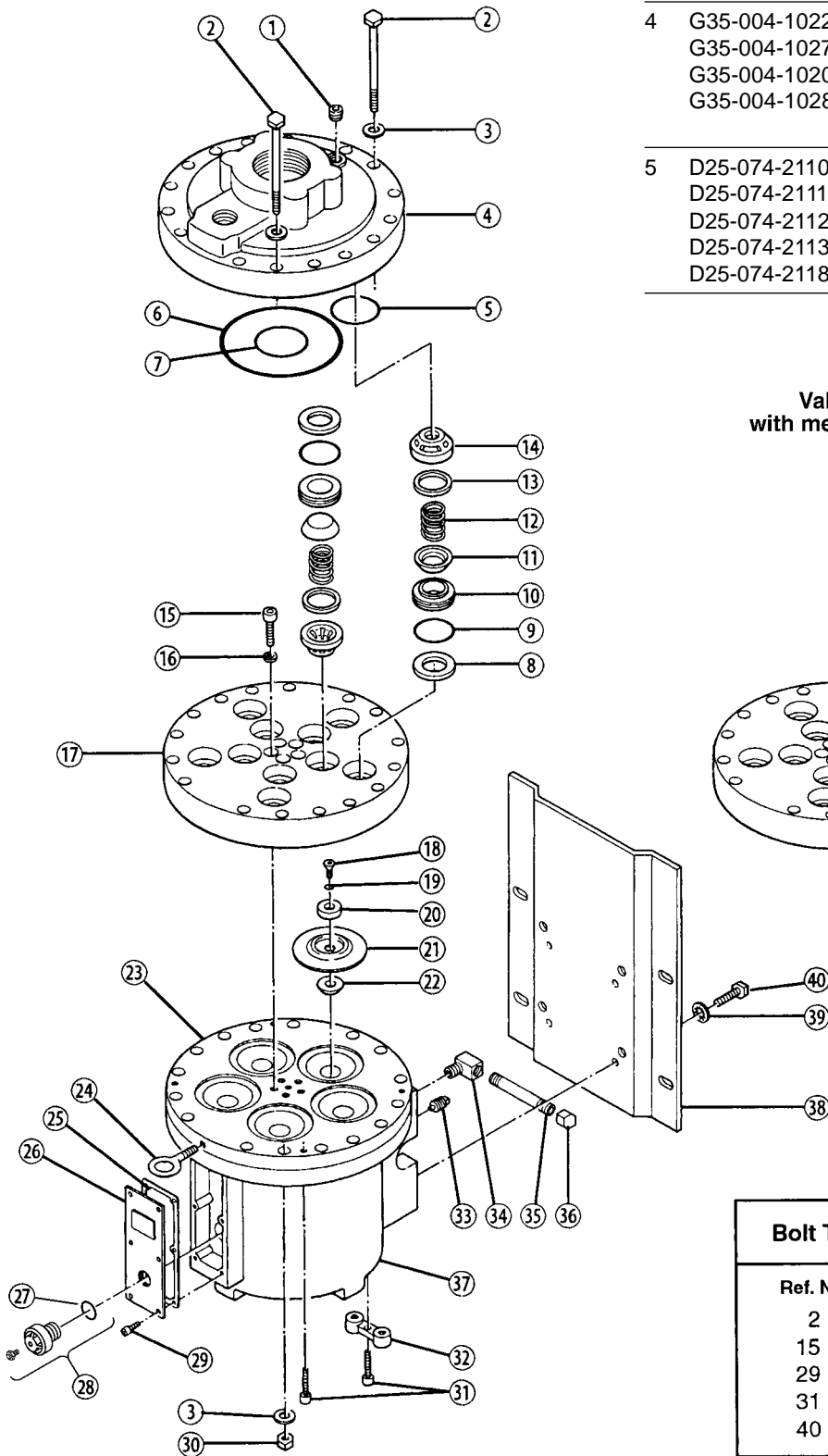
1204 Chestnut Avenue, Minneapolis, MN 55403
TEL: (612) 332-5681 FAX: (612) 332-6937
TOLL-FREE FAX [US only]: (800) 332-6812

www.hydra-cell.com
email: sales@wannereng.com

G-35 Fluid End

Ref #	Part Number	Description	Quantity/ Pump
1	D25-038-2017	Plug, Hastelloy C	1
	D25-038-2210	Plug, Brass	1
	D25-038-2211	Plug, 316 SST	1

Ref #	Part Number	Description	Quantity/ Pump
2	G35-024-2010	Screw, hex-head cap, M12 x 1.75 x 140 mm	16
3	D40-048-2010	Washer, flat	30
4	G35-004-1022	Manifold, 316L SST, BSPT	1
	G35-004-1027	Manifold, ductile iron, BSPT	1
	G35-004-1020	Manifold, magn/bronze, BSPT	1
	G35-004-1028	Manifold, nickel alloy, Hastelloy CW12MW, BSPT	1
5	D25-074-2110	O-ring, Buna	5
	D25-074-2111	O-ring, Viton	5
	D25-074-2112	O-ring, Neoprene	5
	D25-074-2113	O-ring, EPDM	5
	D25-074-2118	O-ring, Teflon	5



Bolt Torque Specifications	
Ref. No.	Assembly Torque
2	65 ft-lbs (88 N-m)
15	65 ft-lbs (88 N-m)
29	9 ft-lbs (12 N-m)
31	25 ft-lbs (34 N-m)
40	45 ft-lbs (60 N-m)

G-35 Fluid End

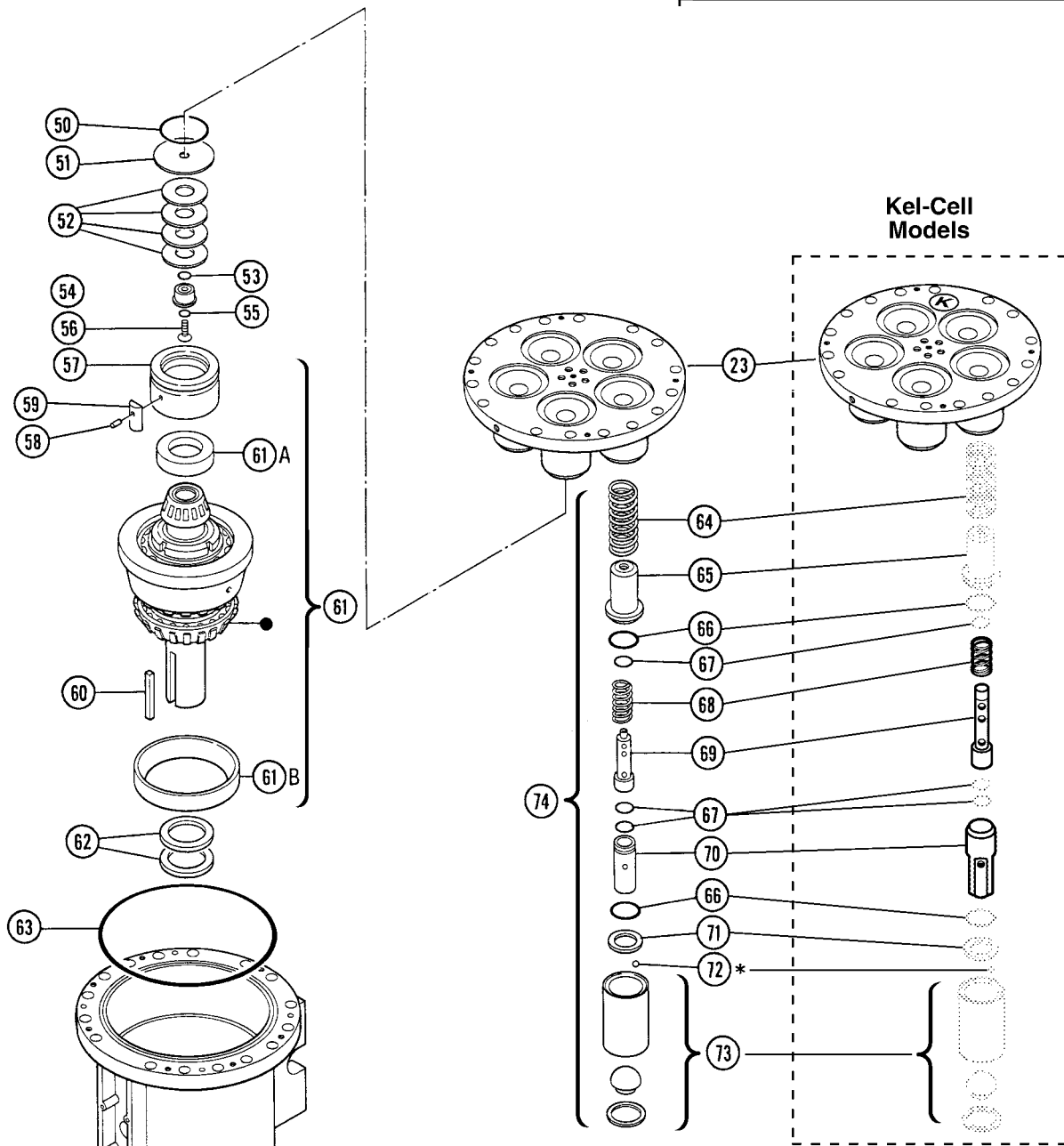
Ref #	Part Number	Description	Quantity/ Pump	Ref #	Part Number	Description	Quantity/ Pump	
6	D35-073-2110	O-ring, Buna	1	18	D25-030-2010	Screw, flat-head, 316 SST	5	
	D35-073-2111	O-ring, Viton	1		D25-030-2011	Screw, flat-head, Hastelloy C	5	
	D35-073-2112	O-ring, Neoprene	1	19	D25-047-2110	O-ring, Buna	5	
	D35-073-2113	O-ring, EPDM	1		D25-047-2111	O-ring, Viton	5	
	D35-073-2118	O-ring, Teflon	1		D25-047-2112	O-ring, Neoprene	5	
7	D35-080-2110	O-ring, Buna	1		D25-047-2113	O-ring, EPDM	5	
	D35-080-2111	O-ring, Viton	1		D25-047-2118	O-ring, Teflon	5	
	D35-080-2112	O-ring, Neoprene	1	20	D25-017-1010	Follower, 316 SST	5	
	D35-080-2113	O-ring, EPDM	1		D25-017-1011	Follower, Hastelloy C	5	
	D35-080-2118	O-ring, Teflon	1	21	D25-018-2312	Diaphragm, Neoprene	5	
8	D25-125-1011	Washer, dampening, 316 SST	10		D25-018-2313	Diaphragm, EPDM	5	
	D25-125-1017	Washer, dampening, Hastelloy C	10		D25-018-2315	Diaphragm, Viton-XT	5	
	D25-125-2310	Washer, dampening, Celcon (Delrin)	10		D25-018-2318	Diaphragm, Teflon	5	
	D25-125-2316	Washer, dampening, Nylon	10		D25-018-2320	Diaphragm, Buna-N-XS	5	
	D25-125-2317	Washer, dampening, polypropylene	10		22	D25-016-1010	Plunger	5
D25-125-2318	Washer, dampening, Kynar	10	23	G35-002-1010		Cylinder Housing	1	
9	D25-035-2110	O-ring, Buna		10	G35-002-1210	Cylinder Housing Assembly ¹	1	
	D25-035-2111	O-ring, Viton		10	K35-002-1010	Cylinder Housing, Kel-Cell	1	
	D25-035-2112	O-ring, Neoprene		10	K35-002-1210	Cylinder Housing Assembly, Kel-Cell ¹ .	1	
	D25-035-2113	O-ring, EPDM	10	24	D40-102-2010	Eyebolt	1	
	D25-035-2118	O-ring, Teflon	10		25	D35-106-2310	Gasket, cover	1
10	D25-020-1010	Valve Seat, 17-4 HT SST	10	26		D35-105-1010	Cover, housing	1
	D25-020-1012	Valve Seat, Nitronic 50	10		27	D10-080-2110	O-ring, Buna, 118	1
	D25-020-1016	Valve Seat, tungsten carbide	10	28		D03-039-1210	Cap oil fill (includes breather & O-ring)	1
	D25-020-1017	Valve Seat, Hastelloy C	10			29	G35-088-2010	Screw, socket-head cap, M6 x 1 x 20 mm
	D25-020-3300	Valve Seat, ceramic	10	30	G35-028-2010		Nut, hex, M12 x 1.75	14
11	D25-021-1011	Valve, Nitronic 50	10		31	G35-029-2010	Screw, socket-head cap, M10 x 1.5 x 35 mm	5
	D25-021-1015	Valve, 17-4 HT SST, machined	10	32		G35-140-1000	Bolting Bar, double	1
	D25-021-1016	Valve, tungsten carbide	10		33	D35-111-2010	Plug, magnetic	1
	D25-021-1017	Valve, Hastelloy C	10			34	D25-076-2210	Elbow, 90°, brass
	D25-021-3300	Valve, ceramic	10	35	D25-077-2210		Pipe, brass	1
12	D25-022-3110	Valve Spring, 17-7 HT SST	10		36	D25-078-2210	Pipe Cap, brass	1
	D25-022-3114	Valve Spring, Elgiloy	10	37		G35-001-1210	Pump Housing Assembly, aluminum ²	1
	D25-022-3115	Valve Spring, Hastelloy C	10		G35-001-1215	Pump Housing Assembly, ductile iron ² ..	1	
13	D25-092-2110	Tetra Seal, Buna	10	38	D40-025-1010	Baseplate	1	
	D25-092-2111	Tetra Seal, Viton	10		39	G35-054-2010	Washer, int. tooth, M12	4
	D25-092-2112	Tetra Seal, Neoprene	10	40		G35-087-2010	Screw, hex-head cap, M12 x 1.75 x 35 mm	4
	D25-092-2113	Tetra Seal, EPDM	10			15	G35-081-2010	Screw, socket-head cap, M12 x 1.75 x 40mm
	D25-092-2118	O-ring, Teflon	10	16	G35-084-2010		Washer, high collar, M12	5
14	D25-023-1010	Retainer, valve spring, 17-7 HT SST	10		17	D35-003-1002	Valve Plate, 316 SST	1
	D25-023-1017	Retainer, valve spring, Hastelloy C .	10	D35-003-1003		Valve Plate, brass	1	
	D25-023-2310	Retainer, valve spring, Celcon	10	D35-003-1007		Valve Plate, ductile iron	1	
	D25-023-2316	Retainer, valve spring, Nylon	10	D35-003-1018		Valve Plate, nickel alloy, Hastelloy CW12MW,	1	
	D25-023-2317	Retainer, valve spring, polypropylene	10					

¹ Cylinder Housing Assembly includes housing (23), bearing tension assembly (50-56).

² Pump Housing Assembly includes housing (37), gasket (25), cover (26), screws (29), plug (33), oil drain (34,35, 36), and bearing cup (61B).

G-35 Hydraulic End

Ref #	Assembly Torque
-------	-----------------



*Qty per piston: 4

G-35 Hydraulic End

Ref #	Part Number	Description	Quantity/ Pump
50	D35-080-2110	O-ring, Buna	1
51	D35-116-1010	Washer, backup	1
52	D40-075-3110	Spring, disc	4
53	D10-083-2110	O-ring, Buna	1
54	D35-112-1011	Guide, disc spring	1
55	D40-047-2110	O-ring, Buna	1
56	G35-115-2011	Screw, flat socket cap, M10 x 1.5 x 25 mm	1
57	D35-012-1010	Plate, bearing adjustment	1
58	D35-110-2010	Pin, dowel	1
59	D35-113-1010	Key	1
60	D40-085-1010	Key, shaft	1
61	D35-007-1210	(X) Cam Assembly, 37 GPM @ 1050 RPM ¹	1
	D35-007-1212	(E) Cam Assembly, 35 GPM @1160 RPM ¹	1
62	D40-031-2110	Seal, shaft	2
63	D35-037-2110	O-ring, Buna	1
64	D25-019-3111	Spring, piston return	5
65	D25-042-1010	Retainer, spring	5
66	D25-034-2110	O-ring, Buna	10
67	D25-046-2110	O-ring, Buna	15
68	D25-045-3110	Spring, sleeve valve	5
	H25-045-3111	Spring, sleeve valve for Teflon diaphragm	5
	K25-045-3110	Spring, sleeve valve, Kel-Cell	5
69	D25-044-1010	Plunger, valve	5
	K25-044-1010	Plunger, valve, Kel-Cell	5
70	D25-043-1010	Cylinder, valve	5
	K25-043-1010	Cylinder, valve, Kel-Cell	5
71	D25-041-1010	Washer, retaining	5
72	D25-015-3010	Ball, steel	20
73	D25-014-1209	Piston, with foot and retainer	5
74	D25-014-1210	Piston Assembly ²	5
	K25-014-1210	Piston Assembly, Kel-Cell ²	5

¹ Cam Assembly includes cam, shaft, wobble plate, bearings, cups and bearing carrier (57-59). It is only available as an assembly.

² Piston Assembly includes cylinder, foot, valve plunger, O-rings, spring retainer, and springs (64-73).

G-35 Series Replacement Parts Kits

TO ORDER REPLACEMENT PARTS KIT: A Replacement Parts Kit contains 11 digits corresponding to customer-specified design options.

1	2	3	4	5	6	7	8	9	10	11
---	---	---	---	---	---	---	---	---	----	----

Digit	Order Code	Description
1-3		Pump Configuration
	G35	For all G-35 Pumps
4		Kit Designator
	K	Complete Fluid End Kit
	D	Diaphragm Kit
	V	Valve Kit (diaphragm not included)
5-6		Pump Head Version
	52	Pump Head Version
7		Diaphragm & O-ring Material
	E	EPDM
	G	Viton®-XT
	J	Teflon®
	P	Neoprene
	T	Buna-N-XS
8		Valve Seat Material
	C	Ceramic
	D	Tungsten Carbide
	H	17-4 PH Stainless Steel
	N	Nitronic 50
	T	Hastelloy® C
	X	Not included in Diaphragm Kit
9		Valve Material
	C	Ceramic
	D	Tungsten Carbide
	F	17-4 PH Stainless Steel – Machined
	N	Nitronic 50
	T	Hastelloy® C
	X	Not included in Diaphragm Kit
10		Valve Springs
	E	Elgiloy®
	H	17-7 PH Stainless Steel
	T	Hastelloy® C
	X	Not included in Diaphragm Kit
11		Valve Spring Retainers
	C	Celcon
	H	17-7 PH Stainless Steel
	M	Kynar®
	P	Polypropylene
	T	Hastelloy® C
	Y	Nylon (Zytel)
	X	Not included in Diaphragm Kit

Kit Contents

Part Number*	Description	Qty	Kit Designator		
			K	D	V
D25-018-___	Diaphragm	5	•	•	
D25-047-___	O-ring, follower	5	•	•	
D25-074-___	O-ring, outlet valve	5	•	•	•
D35-073-___	O-ring, outer manifold	1	•	•	•
D35-080-___	O-ring, center manifold	1	•	•	•
D25-035-___	O-ring, valve seat	10	•		•
D25-020-___	Valve seat	10	•		•
D25-021-___	Valve	10	•		•
D25-022-___	Valve spring	10	•		•
D25-092-___	Tetra seal ¹	10	•		•
D25-023-___	Retainer, valve spring	10	•		•
D25-125-___	Washer, dampening	10	•		•
A01-113-3400	Threadlocker	1	•	•	

* Last four digits of part numbers with ___ refer to specific material of construction.

¹ Tetra seal is provided with non-metallic spring retainers only.



WANNER ENGINEERING, INC.

1204 Chestnut Avenue, Minneapolis, MN 55403
 TEL: (612) 332-5681 FAX: (612) 332-6937
 TOLL-FREE FAX [US only]: (800) 332-6812

www.hydra-cell.com
 email: sales@wannereng.com