

**PARTS MANUAL**  
**G15-991-2402A**

# Hydra-Cell<sup>®</sup>

## INDUSTRIAL PUMPS

**IMPORTANT**

Record your pump model number and serial number here for easy reference:

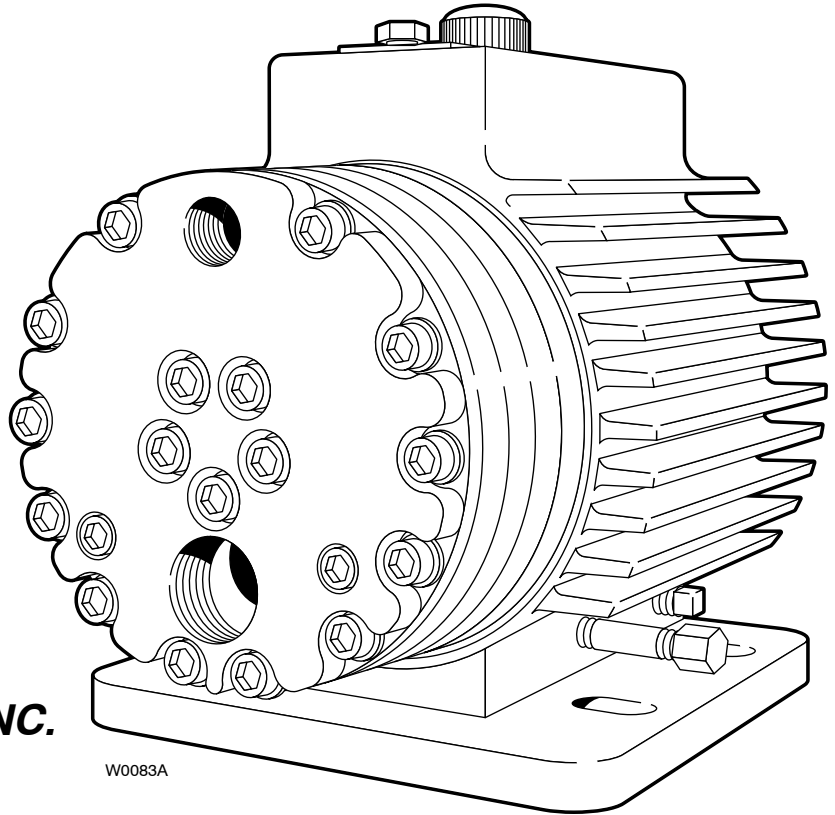
Model No. \_\_\_\_\_

Serial No. \_\_\_\_\_

Date of Purchase \_\_\_\_\_

When ordering parts or making inquiries about this pump, please mention the model and serial numbers.

### **MODEL: G-15**



W0083A



**WANNER ENGINEERING, INC.**

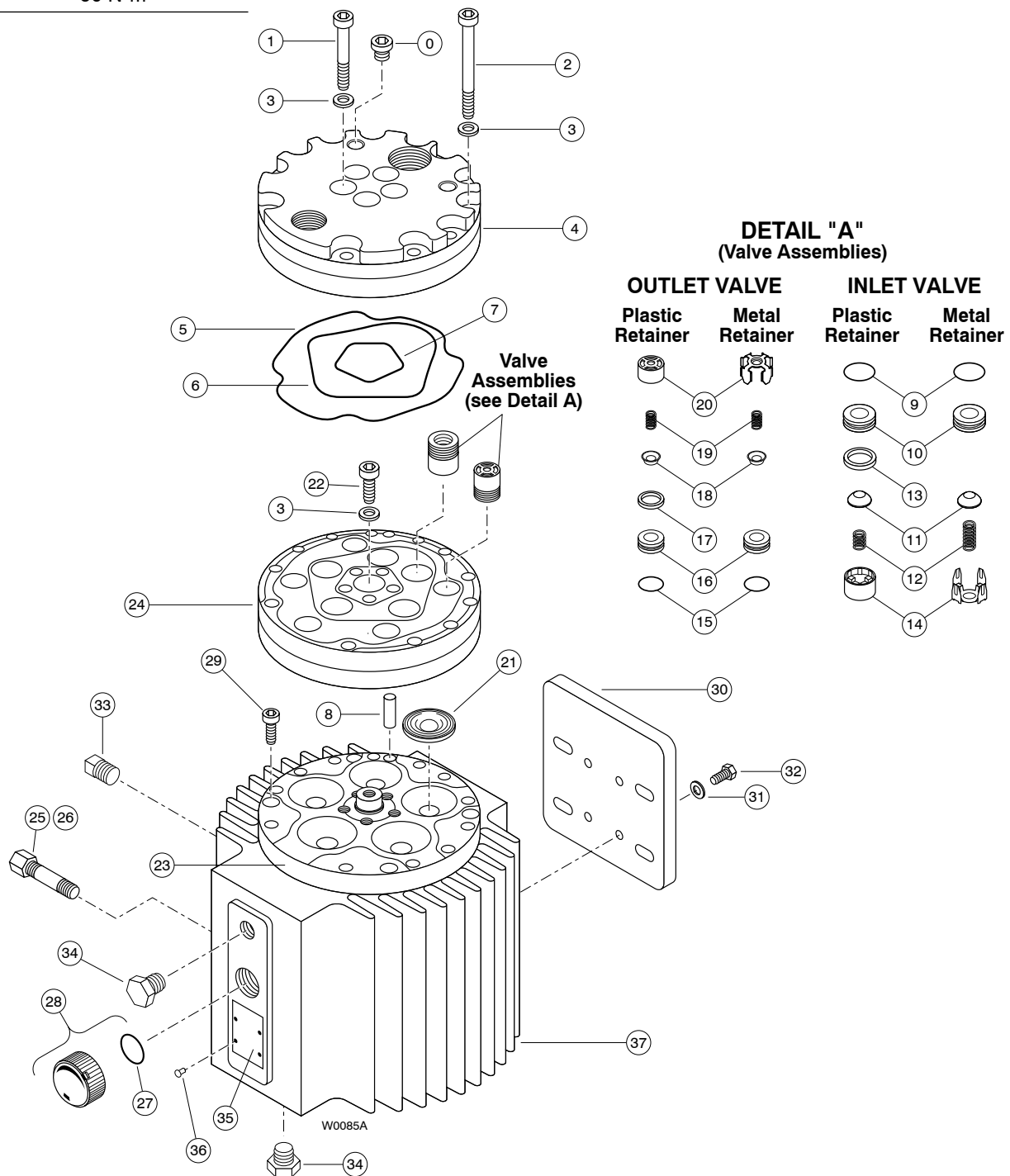
1204 Chestnut Avenue, Minneapolis, MN 55403  
TEL: (612) 332-5681 FAX: (612) 332-6937  
TOLL-FREE FAX [US only]: (800) 332-6812

[www.hydra-cell.com](http://www.hydra-cell.com)  
email: [sales@wannereng.com](mailto:sales@wannereng.com)

# G-15 Fluid End

## Bolt Torque Specifications

Ref. #	Assembly Torque
1	60 N-m
2	60 N-m
22	60 N-m
29	20 N-m
32	60 N-m



# G-15 Fluid End

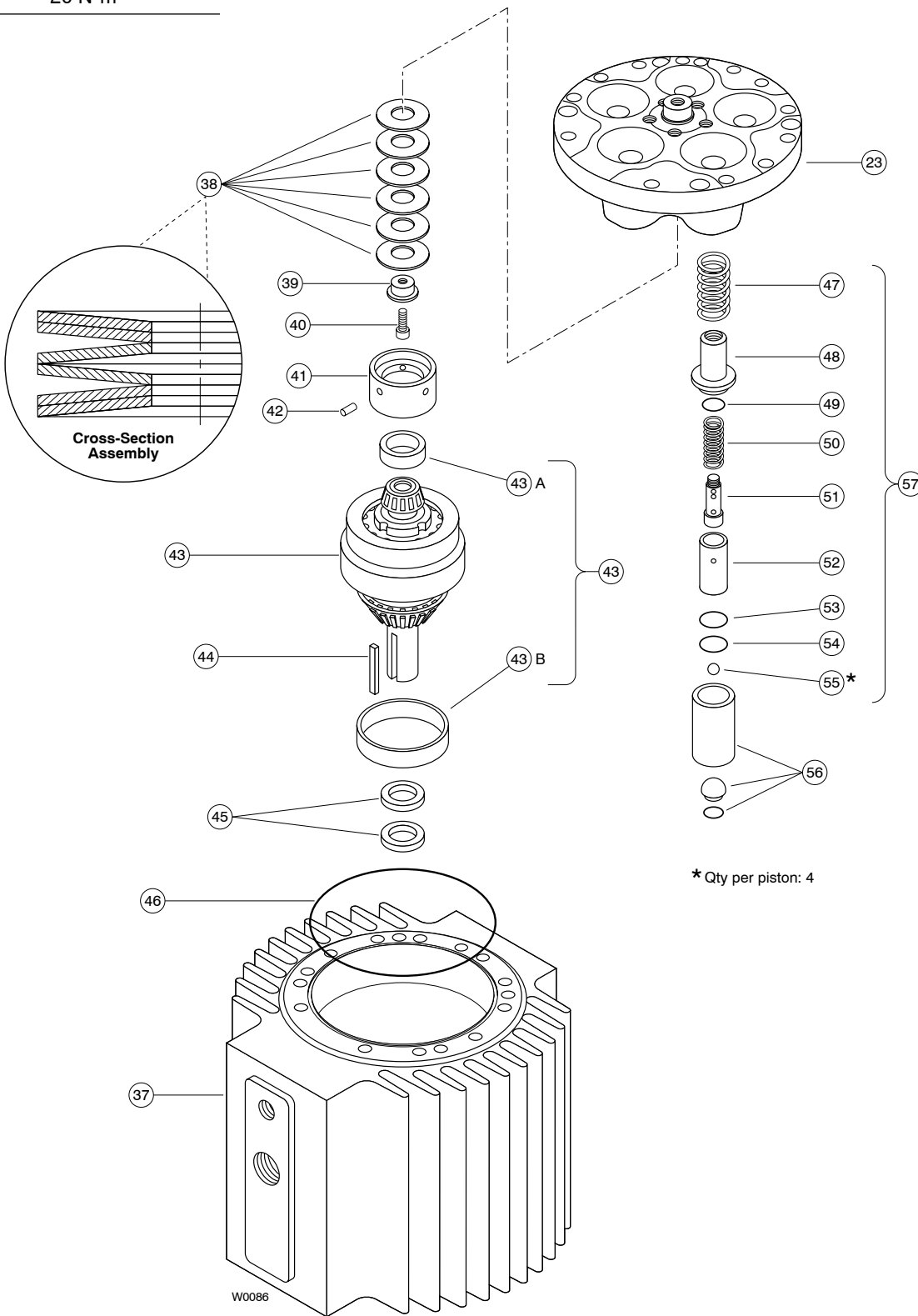
Ref. No.	Part Number	Description	Quantity/ Pump
0	G25-038-2211	Plug, 316 SST .....	2
1	G15-081-2010	Screw, socket-head-cap, M10 x 1.5 x 85mm .....	5
2	G25-024-2010	Screw, socket-head-cap, M10 x 1.5 x 120mm .....	12
3	D11-048-2011	Washer, flat .....	18
4	G15-004-1010 G15-004-1012	Manifold, brass, BSPT .....	1
5	D40-073-2110 D40-073-2111	O-ring, outer manifold, Buna .....	1
6	D15-073-2110 D15-073-2111	O-ring, middle manifold, Buna .....	1
7	D35-080-2120 D35-080-2121	O-ring, inner manifold, Buna .....	1
8	D15-026-2210	Pin, dowel .....	1
9	D10-035-2110 D10-035-2111	O-ring, inlet valve seat, Buna .....	5
10	D15-020-1010 D15-020-1011 D15-020-1016	Valve Seat, inlet, 17-4 SST, HT .....	5
11	D10-021-1015 D10-021-1011 D10-021-1016	Valve, inlet, 17-4 SST, HT .....	5
12	D10-022-3117 D10-022-3123	Valve Spring, inlet, Elgiloy .....	5
13	D10-092-2110 D10-092-2111	Tetra Seal, inlet, Buna .....	5
14	D10-023-1010 D10-023-2310 D10-023-2326 D10-023-2327 D10-023-2328	Retainer, inlet valve spring, 17-7 SST .....	5
15	D25-046-2110 D25-046-2111	O-ring, outlet valve seat, Buna .....	5
16	D15-020-2010 D15-020-2011 D15-020-2016	Valve Seat, outlet, 17-4 SST, HT .....	5

Ref. No.	Part Number	Description	Quantity/ Pump
17	D03-092-2110 D03-092-2111	Tetra Seal, outlet, Buna .....	5
18	D03-021-1015 D03-021-1011 D03-021-1016	Valve, outlet, 17-4 SST, HT .....	5
19	D15-022-3113 D15-022-3114	Valve Spring, outlet, Hastelloy C .....	5
20	D03-023-1010 D03-023-2310 D03-023-2316 D03-023-2317 D03-023-2318	Retainer, outlet valve spring, 17-7 SST .....	5
21	D15-018-1220 D15-018-1215	Diaphragm, Buna-N-XS .....	5
22	G10-087-2010	SHCS, M10 x 1.5 x 30mm .....	1
23	G15-002-1010	Cylinder Housing .....	1
24	D15-003-1010 D15-003-1012	Valve Plate, Brass .....	1
25	D25-077-2210	Pipe, Brass .....	1
26	D25-078-2210	Pipe Cap, Brass .....	1
27	D10-080-2110	O-ring, Buna .....	1
28	D03-039-1030	Cap with O-ring, oil fill .....	1
29	C22-015-2014	SHCS, M8 x 1.25 x 30 .....	4
30	D15-025-1010	Base Plate .....	1
31	G35-084-2010	Lockwasher .....	4
32	G35-087-2010	HHCS, M12 x 1.75 x 35mm .....	4
33	D35-111-2010	Plug, magnetic .....	1
34	D25-038-2210	Plug, Brass .....	2
35	D10-040-2410	Name Plate .....	1
36	D10-112-2200	Rivet .....	4
37	G15-001-1010	Pump Housing .....	1

# G-15 Hydraulic End

## Bolt Torque Specifications

Ref. #	Assembly Torque
40	20 N-m



# G-15 Hydraulic End

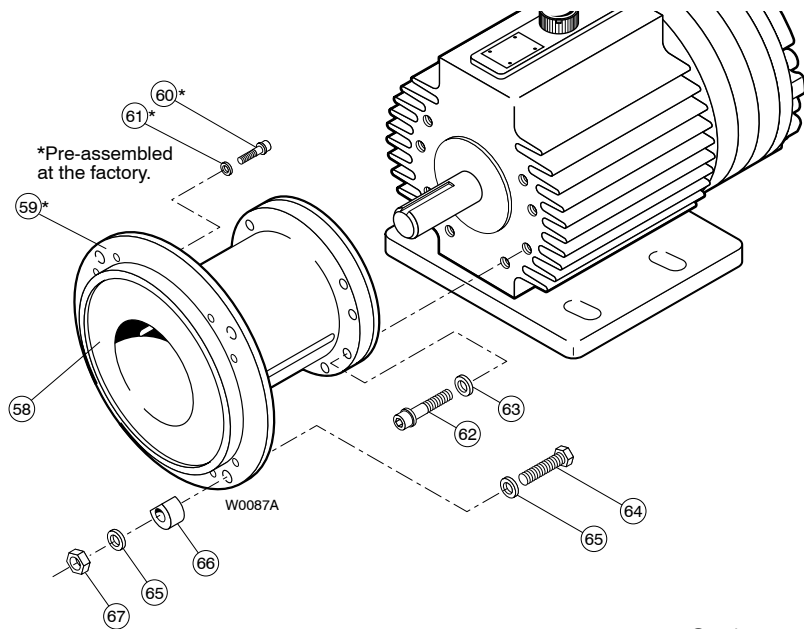
Ref. No.	Part Number	Description	Quantity/ Pump	Ref. No.	Part Number	Description	Quantity/ Pump
38	D15-075-3110	Spring, disk .....	6	47	D10-019-3110	Spring, piston return.....	5
39	D15-112-1010	Guide, disk spring .....	1	48	D10-042-1010	Retainer, spring.....	5
40	G15-115-2010	SHCS, M8 x 1.25 x 10mm.....	1	49	D10-046-2110	O-ring, Buna.....	5
41	D15-012-1010	Plate, bearing adjustment .....	1	50	D10-045-3110	Spring, sleeve valve.....	5
42	D15-110-2210	Pin, dowel.....	1	51	D15-044-1010	Plunger, valve.....	5
43	D15-007-1210	(X) Cam Assembly, 50 lpm @ 1450 rpm .....	1	52	D10-043-1010	Cylinder, valve.....	5
	D15-007-1214	(E) Cam Assembly, 47 lpm @ 1450 rpm .....	1	53	D10-034-2110	O-ring, Buna.....	5
44	D25-085-2210	Key, shaft .....	1	54	D10-041-1010	Washer, retaining .....	5
45	H25-031-2112	Seal shaft.....	2	55	D10-015-3010	Ball, steel.....	20
46	D15-037-2110	O-ring, Buna.....	1	56	D15-014-1209	Piston (with foot, retainer and balls) ...	5
				57	D15-014-1210	Piston Assembly, Buna .....	5

## G-15 Pump/Motor Adapter Kits

For IEC 160 B14 Face Motor (Complete Kit Part No. A04-041-1203)

For IEC 132 B5 Flange Motor (Complete Kit Part No. A04-041-1201)

For IEC 160/180 B5 Flange Motor (Complete Kit Part No. A04-041-1205)



Ref No.	Description	A04-041-1203	A04-041-1201	A04-041-1205	Qty/ Kit
58	Pump/Motor Adapter	A04-041-1003	A04-041-1001	A04-041-1005	1
59	Clamping Ring	—	A04-120-1005	A04-120-1005	1
60	Cap Screw, socket-head	—	G03-029-2010 M6	G10-087-2010 M10	8
61	Lockwasher, split	—	D03-050-2010 1/4"	G25-048-2010 M10	8
62	Cap Screw, Socket-head, M10	G03-068-2010	G03-068-2010	G03-068-2010	8
63	Lockwasher, split, M10	G25-048-2010	G25-048-2010	G25-048-2010	8
64	Cap Screw,	A04-043-2010 Soc.hd,M12	G40-101-2010 Soc.hd,M12	A04-046-2016 Soc.hd,M16	4
65	Lockwasher, split	M10-111-2000 1/2"	M10-111-2000* 1/2"	A04-044-2016* 5/8"	4 *8
66	Spacer	—	A04-120-1011	A04-120-1015	4
67	Hex Nut	—	A04-045-2010	A04-045-2016	4

# G-15 Series Replacement Parts Kits

TO ORDER REPLACEMENT PARTS KIT: A Replacement Parts Kit contains 11 digits corresponding to customer-specified design options.

1	2	3	4	5	6	7	8	9	10	11
---	---	---	---	---	---	---	---	---	----	----

Digit	Order Code	Description
1-3	<b>G15</b>	<b>Pump Configuration</b> For all G-15 Pumps
4		<b>Kit Designator</b>
	<b>K</b>	Complete Fluid End Kit
	<b>D</b>	Diaphragm Kit
	<b>V</b>	Valve Kit (diaphragm not included)
5-6	<b>52</b>	<b>Pump Head Version</b> Pump Head Version
7		<b>Diaphragm &amp; O-ring Material</b>
	<b>G</b>	Viton®-XT
	<b>T</b>	Buna-N-XS
8		<b>Valve Seat Material</b>
	<b>D</b>	Tungsten Carbide
	<b>H</b>	17-4 PH Stainless Steel
	<b>N</b>	Nitronic 50
	<b>X</b>	Not included in Diaphragm Kit
9		<b>Valve Material</b>
	<b>D</b>	Tungsten Carbide
	<b>F</b>	17-4 PH Stainless Steel – Machined
	<b>N</b>	Nitronic 50
	<b>X</b>	Not included in Diaphragm Kit
10		<b>Valve Springs</b>
	<b>E</b>	Elgiloy®
	<b>T</b>	Hastelloy® C
	<b>X</b>	Not included in Diaphragm Kit
11		<b>Valve Spring Retainers</b>
	<b>C</b>	Celcon
	<b>H</b>	17-7 PH Stainless Steel
	<b>M</b>	Kynar®
	<b>P</b>	Polypropylene
	<b>Y</b>	Nylon (Zytel)
	<b>X</b>	Not included in Diaphragm Kit

## Kit Contents

Part Number*	Description	Qty	Kit Designator		
			K	D	V
D15-018-___	Diaphragm	5	•	•	
D40-073-___	O-ring, outer manifold	1	•	•	•
D15-073-___	O-ring, middle manifold	1	•	•	•
D35-080-___	O-ring, inner manifold	1	•	•	•
D10-035-___	O-ring, valve seat, inlet	5	•		•
D15-020-___	Valve seat, inlet	5	•		•
D10-021-___	Valve, inlet	5	•		•
D10-022-___	Valve spring, inlet	5	•		•
D10-092-___	Tetra seal, inlet**	5	•		•
D10-023-___	Retainer, valve spring, inlet	5	•		•
D25-046-___	O-ring, valve seat, outlet	5	•		•
D15-020-___	Valve seat, outlet	5	•		•
D03-092-___	Tetra seal, outlet**	5	•		•
D03-021-___	Valve, outlet	5	•		•
D03-022-___	Valve spring, outlet	5	•		•
D10-023-___	Retainer, valve spring, outlet	5	•		•
A01-113-3400	Threadlocker	1	•	•	

\* Last four digits of part numbers with -\_\_\_ refer to specific material of construction.

\*\* Not included with metal spring retainers.



## WANNER ENGINEERING, INC.

1204 Chestnut Avenue, Minneapolis, MN 55403  
 TEL: (612) 332-5681 FAX: (612) 332-6937  
 TOLL-FREE FAX [US only]: (800) 332-6812

[www.hydra-cell.com](http://www.hydra-cell.com)

email: [sales@wannereng.com](mailto:sales@wannereng.com)