

PARTS MANUAL

Hydra-Cell[®]

INDUSTRIAL PUMPS

IMPORTANT

Record your pump model number and serial number here for easy reference:

Model No. _____

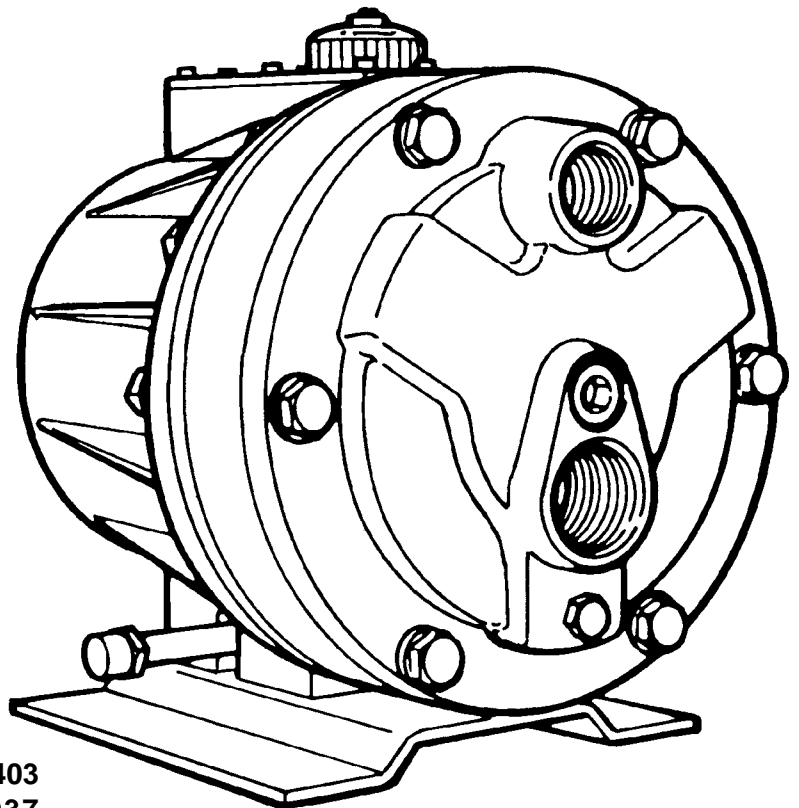
Serial No. _____

Date of Purchase _____

When ordering parts or making inquiries about this pump, please mention the model and serial numbers.

MODEL: D-10

WITH METALLIC PUMP HEAD



WANNER ENGINEERING, INC.

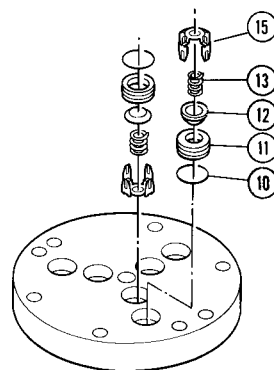
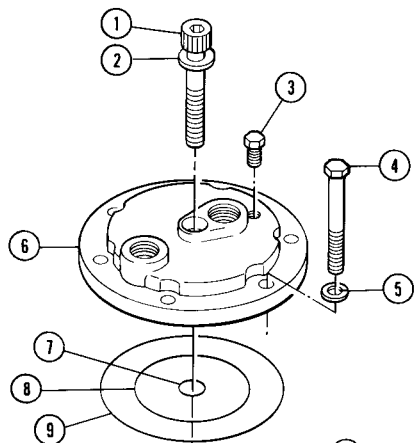
1204 Chestnut Avenue, Minneapolis, MN 55403
TEL: (612) 332-5681 FAX: (612) 332-6937
TOLL-FREE FAX [US only]: (800) 332-6812

www.hydra-cell.com
email: sales@wannereng.com

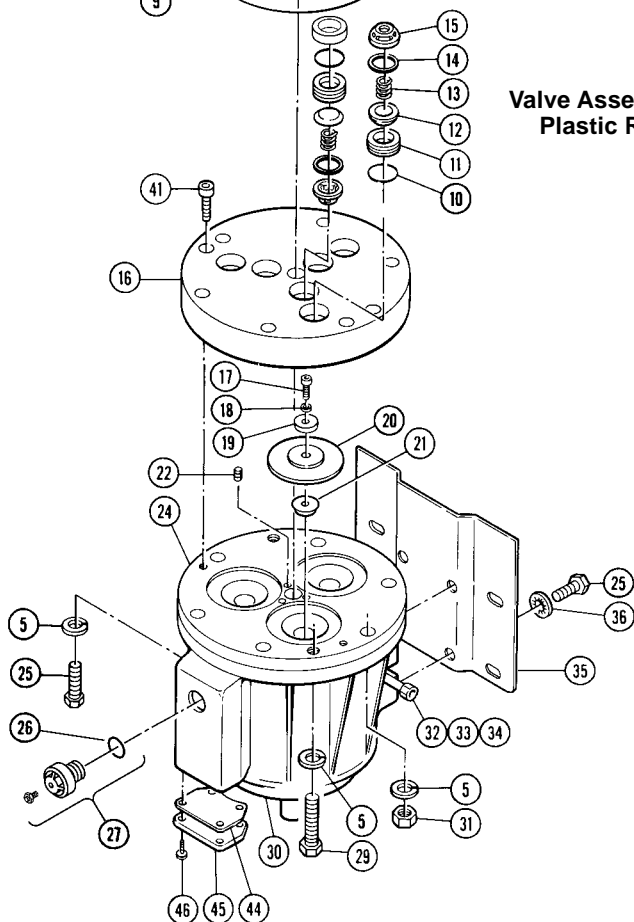
D-10 Fluid End (with metallic pump head)

**Model D-10
with Metallic Pump Head**

**Valve Assemblies with
Metal Retainers**



**Valve Assemblies with
Plastic Retainers**



Ref #	Part Number	Description	Quantity/ Pump
1	D10-081-2012	Cap Screw, socket head, 2-3/4"	1
2	D10-084-2010	Washer, 1/2", flat	1
3	D10-038-2017	Plug, Hastelloy C	1
	D10-038-2210	Plug, brass	1
	D10-038-2211	Plug, 316 SST	1
4	D10-024-2010	Bolt, 3-1/2" hex-head	6
5	D10-048-2010	Washer, 3/8" split lock	14
6	D10-004-1002	Manifold, 316 SST, NPT	1
	D10-004-1008	Manifold, brass, NPT	1
	D10-004-1017	Manifold, nickel alloy, Hastelloy CW12MW, NPT	1
	D10-004-1034	Manifold, cast iron, NPT	1
7	D10-083-2110	O-ring, centerbolt, Buna	1
	D10-083-2111	O-ring, centerbolt, Viton	1
	D10-083-2112	O-ring, centerbolt, Neoprene	1
	D10-083-2113	O-ring, centerbolt, EPDM	1
	D10-083-2118	O-ring, centerbolt, Teflon	1

D-10 Fluid End (with metallic pump head)

Ref #	Part Number	Description	Quantity/ Pump
8	D10-073-2110	O-ring, inner manifold, Buna	1
	D10-073-2111	O-ring, inner manifold, Viton	1
	D10-073-2112	O-ring, inner manifold, Neoprene	1
	D10-073-2113	O-ring, inner manifold, EPDM	1
	D10-073-2118	O-ring, inner manifold, Teflon	1
9	D10-074-2110	O-ring, outer manifold, Buna	1
	D10-074-2111	O-ring, outer manifold, Viton	1
	D10-074-2112	O-ring, outer manifold Neoprene	1
	D10-074-2113	O-ring, outer manifold EPDM	1
	D10-074-2118	O-ring, outer manifold, Teflon	1
10	D10-035-2110	O-ring, valve seat, Buna	6
	D10-035-2111	O-ring, valve seat, Viton	6
	D10-035-2112	O-ring, valve seat, Neoprene	6
	D10-035-2113	O-ring, valve seat, EPDM	6
	D10-035-2118	O-ring valve seat, Teflon	6
11	D10-020-1010	Valve seat, 17-4 SST, HT	6
	D10-020-1011	Valve seat, 316 SST	6
	D10-020-1016	Valve seat, tungsten carbide	6
	D10-020-1017	Valve seat, Hastelloy C	6
	D10-020-3300	Valve seat, ceramic	6
12	D10-021-1010	Valve, 17-7 SST, stamped, HT	6
	D10-021-1011	Valve, Nitronic	6
	D10-021-1015	Valve, 17-4 SST, machined, HT	6
	D10-021-1016	Valve, tungsten carbide	6
	D10-021-1017	Valve, Hastelloy C	6
D10-021-3300	Valve, ceramic	6	
13	D10-022-3116	Valve Spring, 17-7 SST, HT	6
	D10-022-3117	Valve Spring, Elgiloy	6
	D10-022-3123	Valve Spring, Hastelloy C	6
14	D10-092-2110	Tetra Seal, Buna	6
	D10-092-2111	Tetra Seal, Viton	6
	D10-092-2112	Tetra Seal, Neoprene	6
	D10-092-2113	Tetra Seal, EPDM	6
	D10-092-2118	Tetra Seal, Teflon	6
15	D10-023-1010	Retainer, valve spring, 17-7 SST, HT	6
	D10-023-1017	Retainer, valve spring, Hastelloy C ...	6
	D10-023-2310	Retainer, valve spring, Celcon	6
	D10-023-2326	Retainer, valve spring, Nylon	6
	D10-023-2327	Retainer, valve spring, polypropylene ..	6
D10-023-2328	Retainer, valve spring, Kynar	6	
16	D10-003-1011	Valve Plate, brass	1
	D10-003-1012	Valve Plate, 316 SST	1
	D10-003-1019	Valve Plate, cast iron	1
	D10-003-1027	Valve Plate, nickel alloy, Hastelloy CW12MW	1
17	D10-030-2010	Screw, flat-head, SST, 3/8"	3
	D10-030-2011	Screw, flat-head, Hastelloy C, 3/8"	3
18	D10-047-2110	O-ring, follower, Buna-N	3
	D10-047-2111	O-ring, follower, Viton	3
	D10-047-2112	O-ring, follower, Neoprene	3
	D10-047-2113	O-ring, follower, EPDM	3
	D10-047-2118	O-ring, follower, Teflon	3

Ref #	Part Number	Description	Quantity/ Pump
19	D10-017-1010	Follower, 316 SST	3
	D10-017-1011	Follower, Hastelloy C	3
20	D10-018-2312	Diaphragm, Neoprene	3
	D10-018-2313	Diaphragm, EPDM	3
	D10-018-2315	Diaphragm, Viton XT	3
	D10-018-2318	Diaphragm, Teflon	3
	D10-018-2320	Diaphragm, Buna-N-XS	3
21	D10-016-1010	Plunger	3
22	D10-082-2010	Set Screw, 3/8"	3
24	D10-002-1010	Cylinder Housing	1
	D10-002-1210	Cylinder Housing Assembly ¹	–
	K10-002-1010	Cylinder Housing, Kel-Cell ²	–
	K10-002-1210	Cylinder Housing Assembly, Kel-Cell ^{1,2}	–
25	D10-029-2010	Cap Screw, hex-head, 1"	5
26	D10-080-2110	O-ring, oil fill, Buna	1
27	D03-039-1210	Cap, oil fill (includes breather and O-ring)	1
29	D10-087-2010	Cap Screw, hex-head, 1-1/8"	1
30	D10-001-1214	Pump Housing ³	1
	D10-001-1215	Pump Housing Assembly ⁴	–
31	D10-028-2010	Nut, hex, 3/8"	6
32	D10-076-2210	Elbow, brass, 1/8"	1
33	D10-077-2210	Pipe, brass, 1/8"	1
34	D10-078-2210	Cap, brass, 1/8"	1
35	D10-025-1010	Base	1
36	D10-054-2010	Washer, shakeproof, 3/8"	4
38	M10-110-2000	Bolt, 1-1/2"	4
41	D10-088-2010	Cap Screw, socket-head	2
44	D10-106-2310	Gasket, cover	1
45	D10-105-1010	Cover/Nameplate	1
46	G10-090-2010	Screw, M4 x 12	4

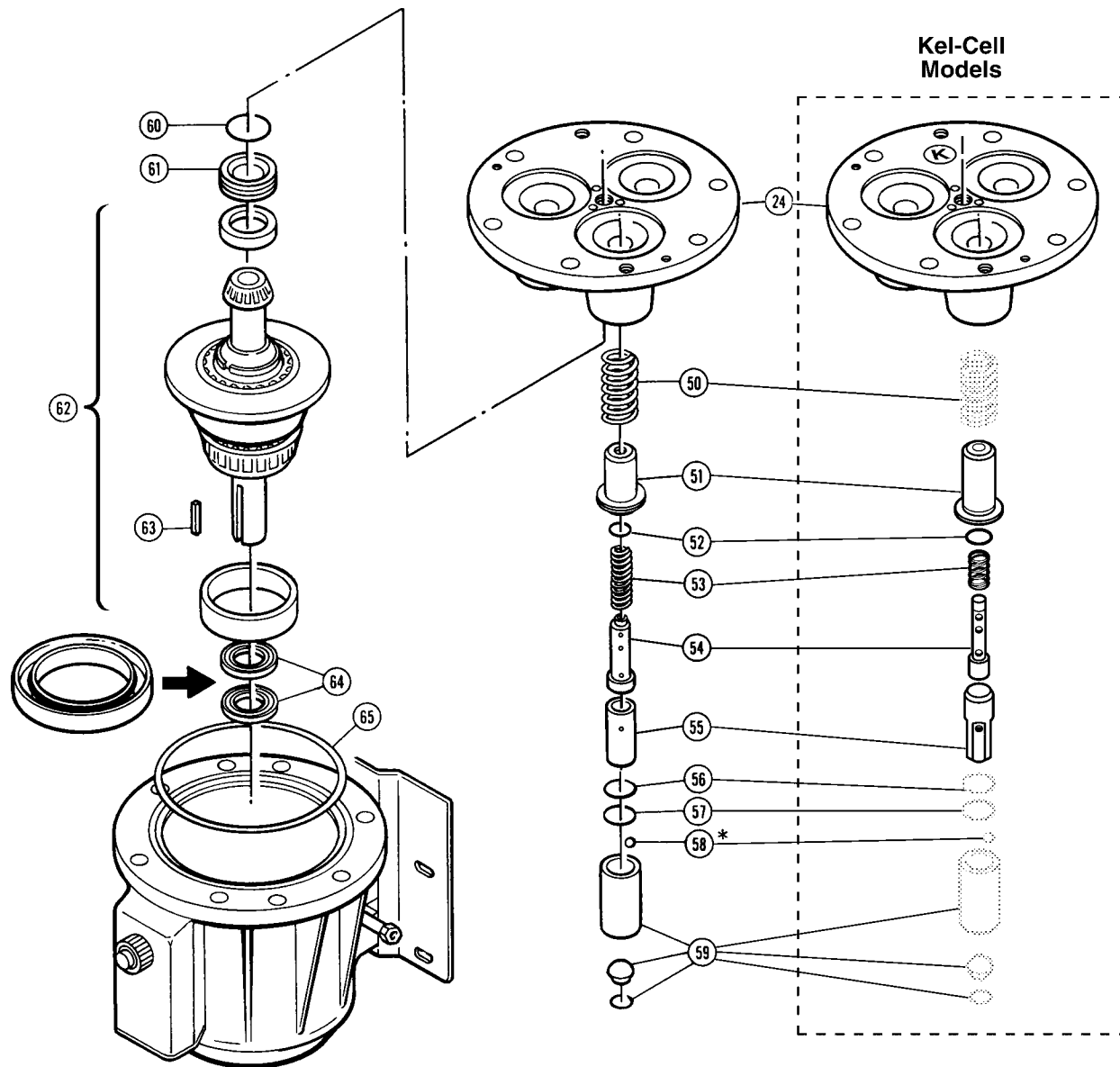
¹ Cylinder Housing Assembly includes casting (24), bearing, adjusting plate (61), O-ring (60), and set screws (22).

² Parts used in Kel-Cell version pump.

³ Pump housing includes housing (30), cover (45), gasket (44), and screws (46).

⁴ Pump Housing Assembly includes housing (30), drain plug (32, 33, 34), bearing cup, cover (45), gasket (44), and screws (46).

D-10 Hydraulic End (with metallic pump head)



*Qty per piston: 4

D-10 Hydraulic End (with metallic pump head)

Ref #	Part Number	Description	Quantity/ Pump
50	D10-019-3110	Spring, piston return	3
51	D10-042-1010	Retainer, spring	3
	K10-042-1010	Retainer, spring, Kel-Cell ⁵	3
52	D10-046-2110	O-ring, valve cylinder, Buna	3
	C23-009-2110	O-ring, valve cylinder, Buna, Kel-Cell ⁵	3
53	D10-045-3110	Spring, sleeve valve	3
	D10-045-3111	Spring, sleeve valve, Teflon diaphragm	3
	K10-045-3110	Spring, sleeve valve, Kel-Cell ⁵	3
54	D10-044-1010	Valve Plunger	3
	K10-044-1010	Valve Plunger, Kel-Cell ⁵	3
55	D10-043-1010	Cylinder, valve	3
	K10-043-1010	Cylinder, valve, Kel-Cell ⁵	3
56	D10-034-2110	O-ring, Buna	3
57	D10-041-1010	Washer, ball retainer	3
58	D10-015-3010	Ball	12
59	D10-014-1209	Piston, with foot and retainer	3
	D10-014-1210	Piston Assembly ⁶	—
	K10-014-1210	Piston Assembly, Kel-Cell ^{5,6}	—
60	D10-075-2110	O-ring, bearing adjusting plate, Buna	1
61	D10-012-1010	Bearing Adjusting Plate	1

Ref #	Part Number	Description	Quantity/ Pump
62	D10-007-1210	(X) Cam Assembly, 8 gpm @ 1450 rpm ⁷	—
	D10-007-1211	(I) Cam Assembly, 4 gpm @ 1750 rpm ⁷	—
	D10-007-1212	(S) Cam Assembly, 6 gpm @ 1750 rpm ⁷	—
	D10-007-1214	(E) Cam Assembly, 8 gpm @ 1750 rpm ⁷	—
63	D10-085-2210	Key, shaft	1
64	D10-031-2210	Seal, Buna	2
65	D10-037-2110	O-ring, pump housing, Buna	1
—	D10-111-2401	Label, caution	1
	D10-111-2402	Label, caution	1

⁵ Parts used in Kel-Cell version pumps (Kel-Cell version pumps are indicated by a “K” in the 5th digit of the pump model number).

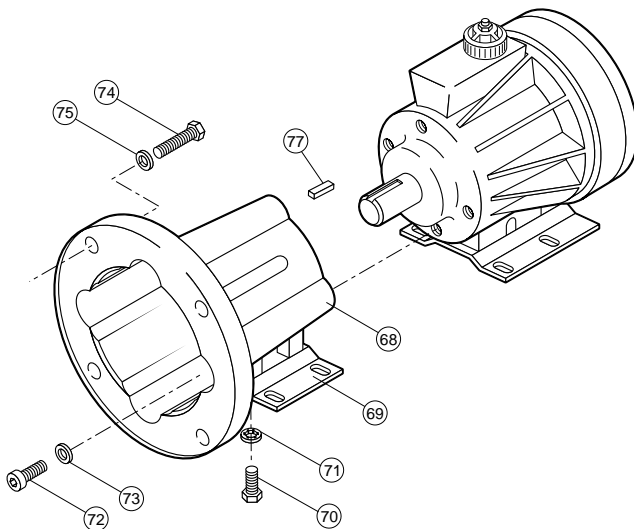
⁶ Piston Assembly includes cylinder, foot, valve plunger, O-rings, spring retainer, and springs (50-59).

⁷ Cam Assembly includes cam, shaft, wobble plate, cups and bearings. It is only available as an assembly.

D-10 Pump/Motor Adapter Kit

For 56C-145TC NEMA C-Face Motors (Complete Kit Part No. A04-001-1200)

For 182-215TC NEMA C-Face Motors (Complete Kit Part No. A04-002-1200)



Ref #	Description	A04-001-1200	A04-002-1200	Qty/Kit
68	Pump/Motor Adapter	A04-031-1000	A04-030-1000	1
69	Adapter Baseplate	A04-025-1010	—	1
70	Cap Screw, Hex-head, 3/8"	D10-029-2010	—	4
71	Lockwasher, Internal tooth, 3/8"	D10-054-2010	—	4
72	Cap Screw, Socket-head 3/8"	A04-041-2010	A04-041-2010 3/8"	4
73	Lockwasher, Split 3/8"	D10-048-2010	D10-048-2010 3/8"	4
74	Cap Screw, Hex-head, 3/8"	D03-068-2010	M10-110-2000 1/2"	4
75	Lockwasher, Split 3/8"	D10-048-2010	M10-111-2000 1/2"	4
77	Short Key	A04-085-2210	A04-085-2210	1

D-10 Series Replacement Parts Kits

(with metallic pump head)

TO ORDER REPLACEMENT PARTS KIT: A Replacement Parts Kit contains 11 digits corresponding to customer-specified design options.

1	2	3	4	5	6	7	8	9	10	11
---	---	---	---	---	---	---	---	---	----	----

Digit	Order Code	Description
1-3		Pump Configuration
	D10	For all D-10 Pumps
4		Kit Designator
	K	Complete Fluid End Kit
	D	Diaphragm Kit
	V	Valve Kit (diaphragm not included)
5-6		Pump Head Version
	52	Metallic Pump Head Version
7		Diaphragm & O-ring Material
	E	EPDM
	G	Viton®-XT
	J	Teflon®
	P	Neoprene
	T	Buna-N-XS
8		Valve Seat Material
	C	Ceramic
	D	Tungsten Carbide
	H	17-4 PH Stainless Steel
	S	316 Stainless Steel
	T	Hastelloy® C
	X	Not included in Diaphragm Kit
9		Valve Material
	C	Ceramic
	D	Tungsten Carbide
	F	17-4 PH Stainless Steel – Machined
	H	17-7 PH Stainless Steel – Stamped
	N	Nitronic 50
	T	Hastelloy® C
	X	Not included in Diaphragm Kit
10		Valve Springs
	E	Elgiloy®
	H	17-7 PH Stainless Steel
	T	Hastelloy® C
	X	Not included in Diaphragm Kit
11		Valve Spring Retainers
	C	Celcon
	H	17-7 PH Stainless Steel
	M	Kynar®
	P	Polypropylene
	T	Hastelloy® C
	Y	Nylon (Zytel)
	X	Not included in Diaphragm Kit

Kit Contents

Part Number*	Description	Qty	Kit Designator		
			K	D	V
D10-018-___	Diaphragm	3	•	•	
D10-047-___	O-ring, follower	3	•	•	
D10-074-___	O-ring, outer manifold	1	•	•	•
D10-073-___	O-ring, inner manifold	1	•	•	•
D10-083-___	O-ring, center bolt	1	•	•	•
D10-035-___	O-ring, valve seat	6	•		•
D10-020-___	Valve seat	6	•		•
D10-021-___	Valve	6	•		•
D10-022-___	Valve spring	6	•		•
D10-092-___	Tetra seal **	6	•		•
D10-023-___	Retainer, valve spring	6	•		•
A01-113-3400	Threadlocker	1	•	•	

* Last four digits of part numbers with ___ refer to specific material of construction.

** Not included with metallic spring retainers.



WANNER ENGINEERING, INC.

1204 Chestnut Avenue, Minneapolis, MN 55403
 TEL: (612) 332-5681 FAX: (612) 332-6937
 TOLL-FREE FAX [US only]: (800) 332-6812

www.hydra-cell.com

email: sales@wannereng.com